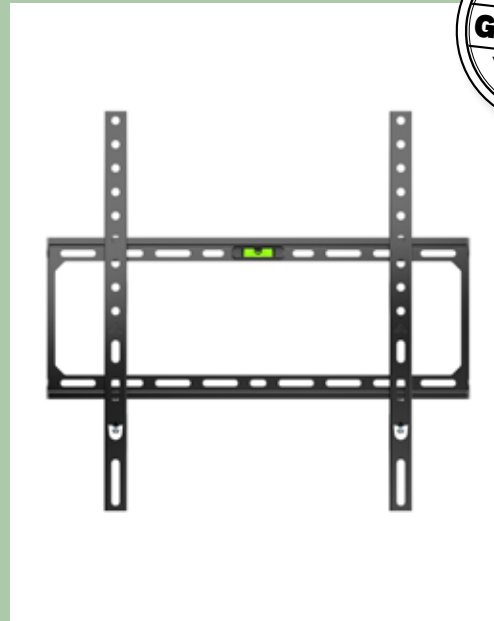
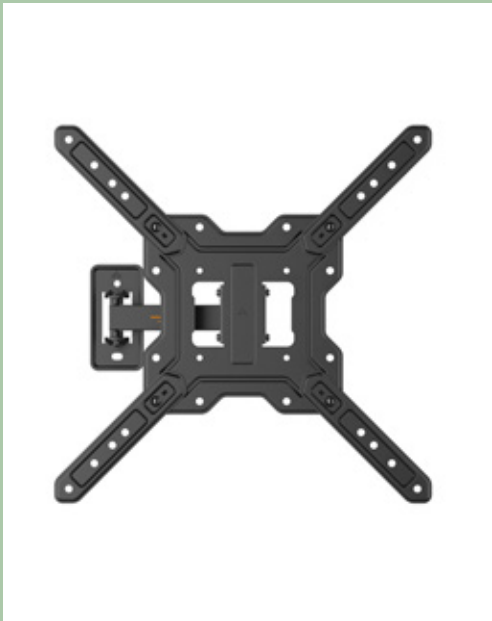


OUR economy line



simply
... good

The economy line stands for consistent simplicity:
functional brackets that deliver exactly what really matters.

Solid quality and a convincing price level.

Wall mount for TVs

13" - 43"
33 - 109 cm 45 kg

Wall distance: 22 mm
VESA 50x50 - 200x200



HEG 1 L



0° ~ -8°
tiltable

HEG 2 L



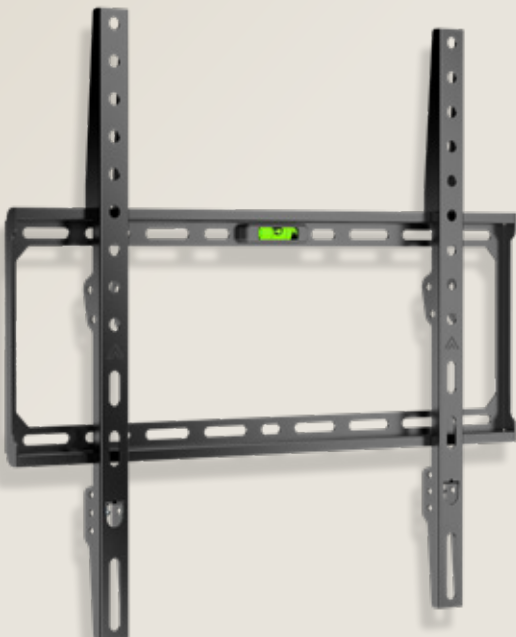
Reduced package size

REDUCES SHIPPING AND STORAGE COSTS
Ideal for online retailers

Wall mount for large TVs

32" - 75"
81 - 191 cm 45 kg

Wall distance: 22 mm
VESA 50x50 - 400x400



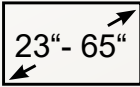

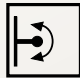

HEG 3 L



0° ~ -8°
tiltable

HEG 4 L

Swivel wall mount for TVs





 VESA 100x100 - 400x400
 58 - 165 cm

Wall distance: 55 - 207 mm



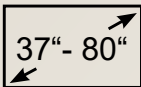




HEG 5 L

Wall distance: 60 - 397 mm

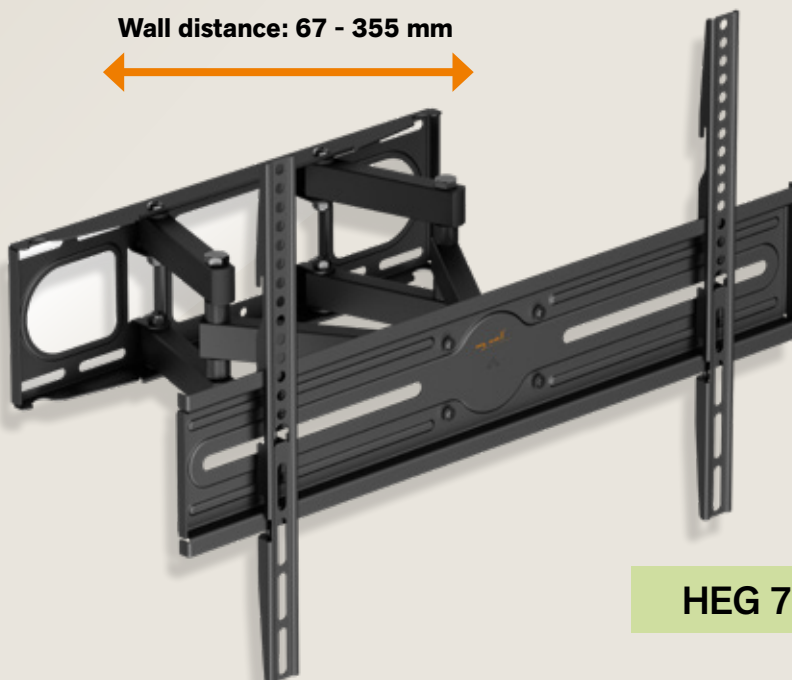


HEG 6 L

Swivel wall mount for large TVs






 VESA 100x100 - 600x400
 94 - 203 cm

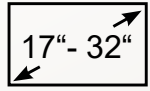
Wall distance: 67 - 355 mm



HEG 7 L

simply
... good

Adjustable mount for monitor and laptop



43 - 81 cm



10 kg
per arm



+/- 45°



180°



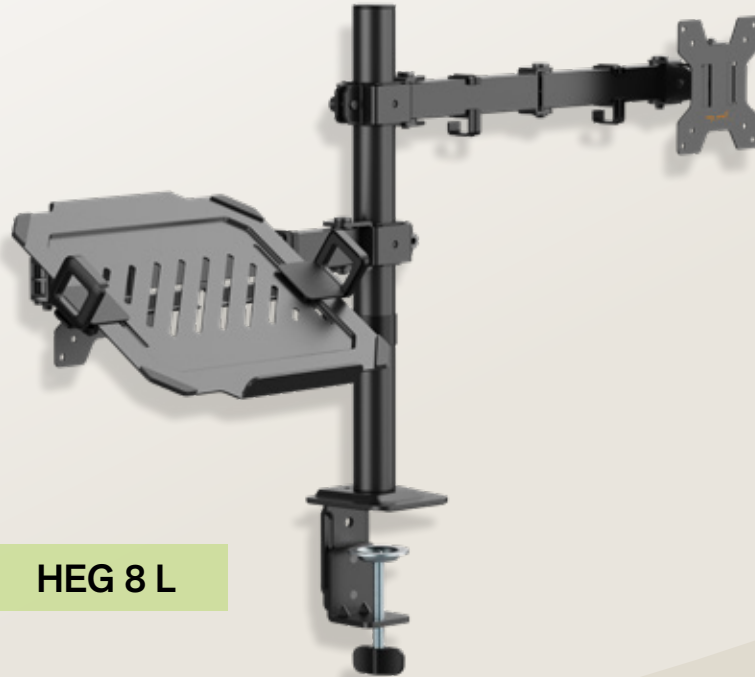
360°

Height: 408 mm

VESA 75x75 - 100x100

With mounting clamp (10 - 85 mm) and adapter plate for permanent mounting on the table

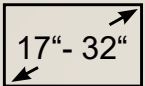
laptop



& monitor

HEG 8 L

Adjustable monitor arm



43 - 81 cm



2 - 9 kg
per arm



+/- 90°



180°



360°

With spring system, height adjustable up to 250 mm

VESA 75x75 - 100x100

With mounting clamp (10 - 80 mm) and adapter plate for permanent mounting on the table

1 monitor



HEG 9 L

2 monitors



HEG 10 L

OUR economy line

MINIMAL DESIGN – MAXIMUM SAVINGS



feel good...

No high-gloss coating
budget- and **recycling-friendly**

OUR **economy line**

simply
... good

