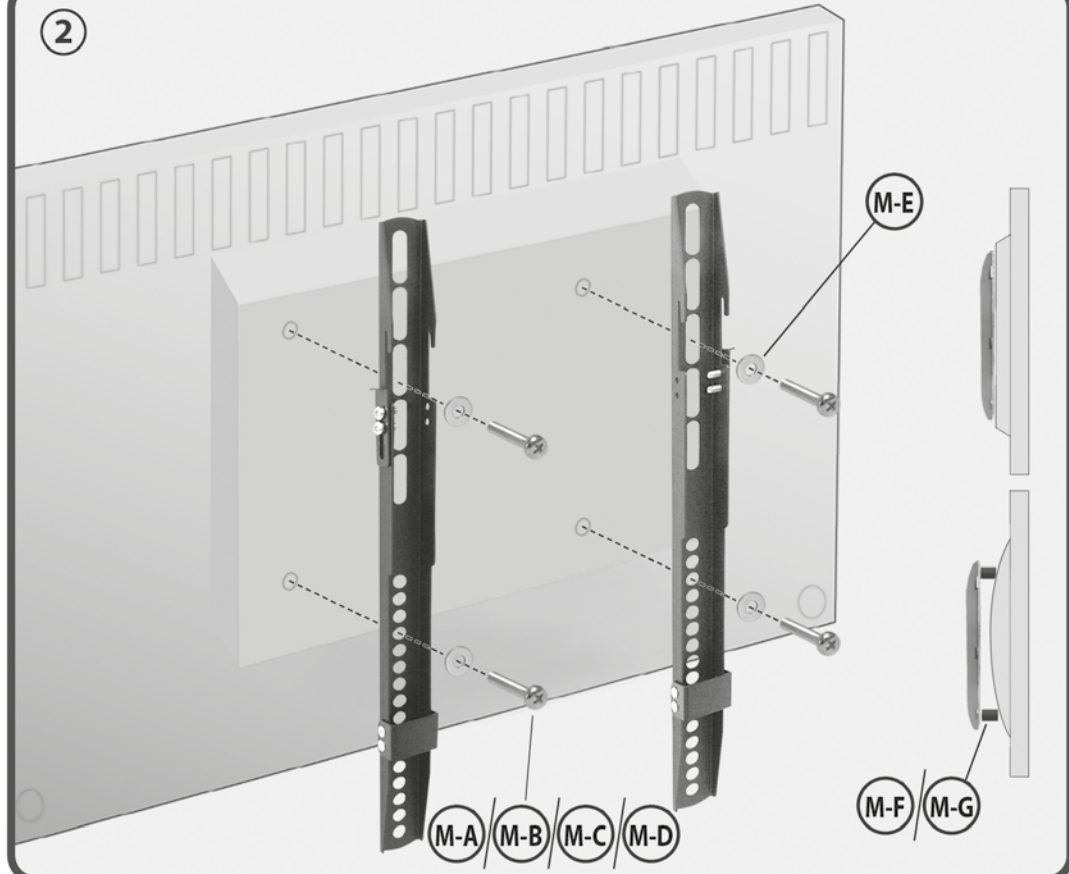
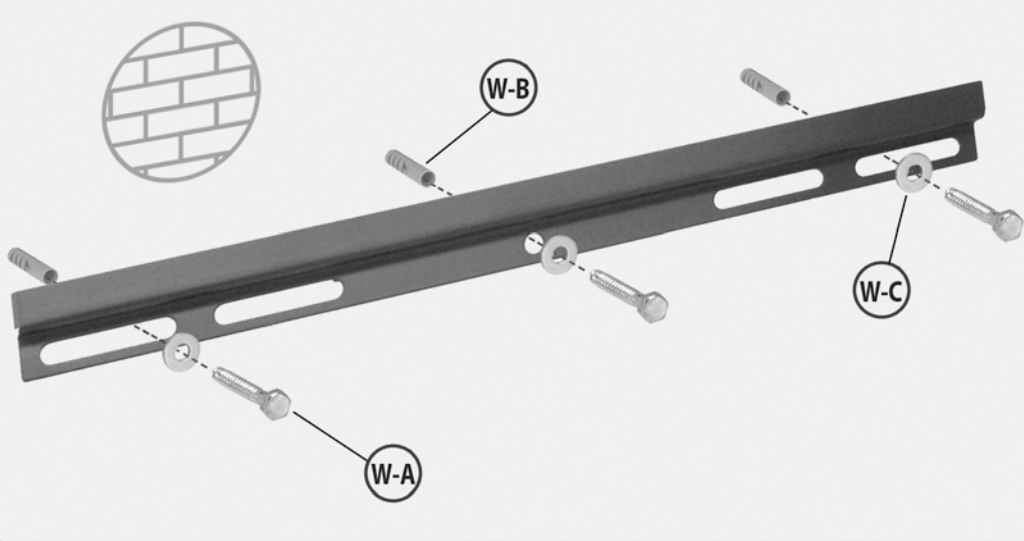
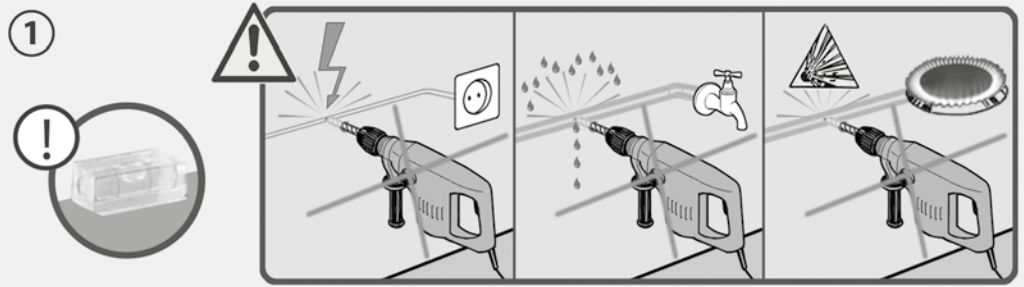
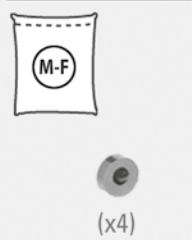
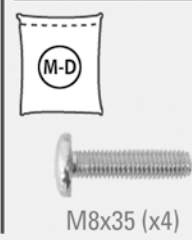
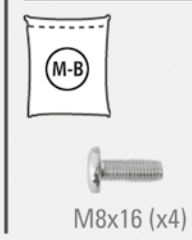
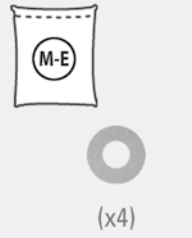
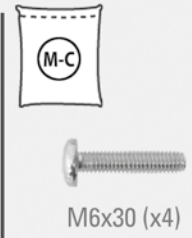
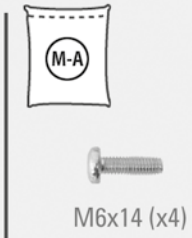
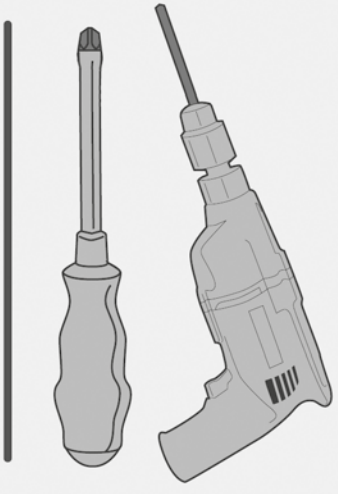


# HP 5-1 ASL

LED TV Wandhalter  
LED TV Mount



## Montageanleitung Assembly Instructions

Montageanleitung  
Assembley instructions  
Instrucciones de montaje  
Návod pro montáž  
Instruções de montagem  
Montážná instrukcia  
Paigaldusjuhise  
Montážas instrukcija  
Instruzioni d'uso

HP 5-1 ASL



my wall®  
mount accessories

Wandhalter für LCD TV  
Bracket for LCD Monitor

