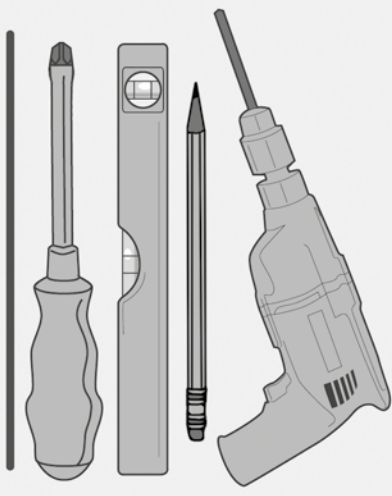


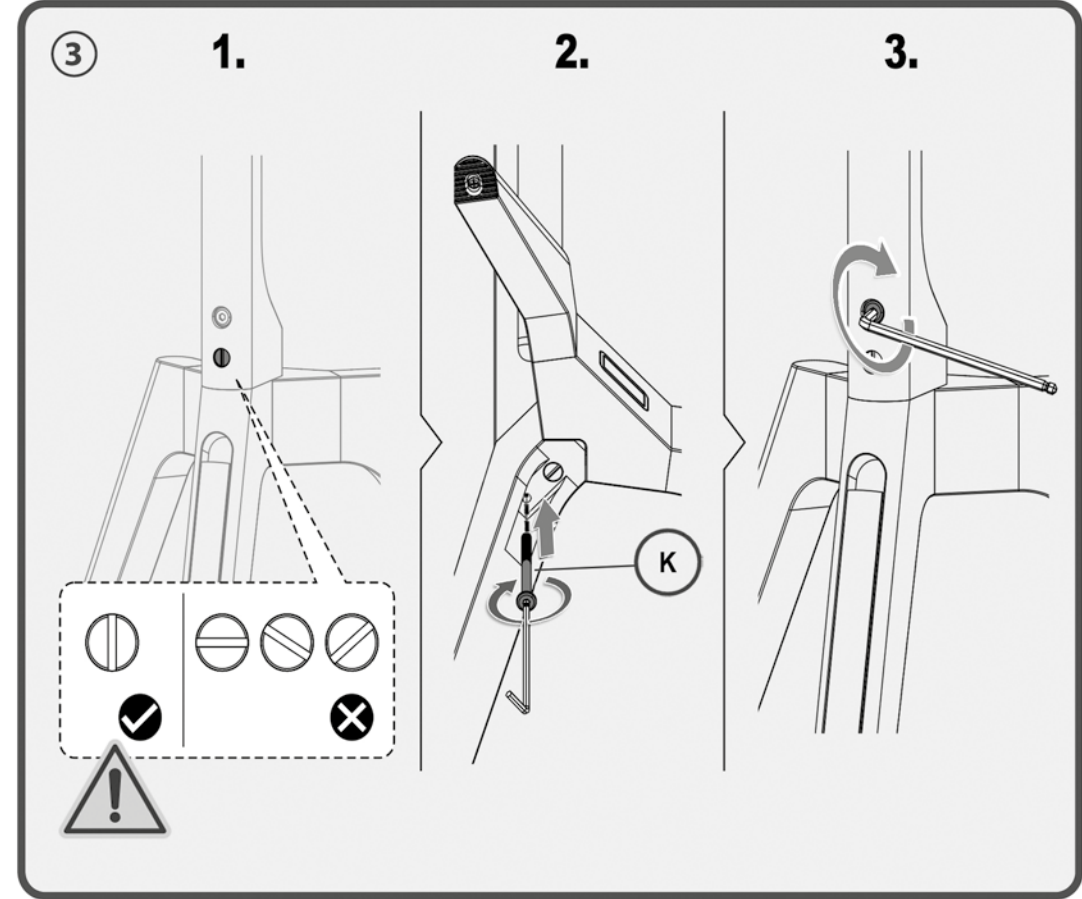
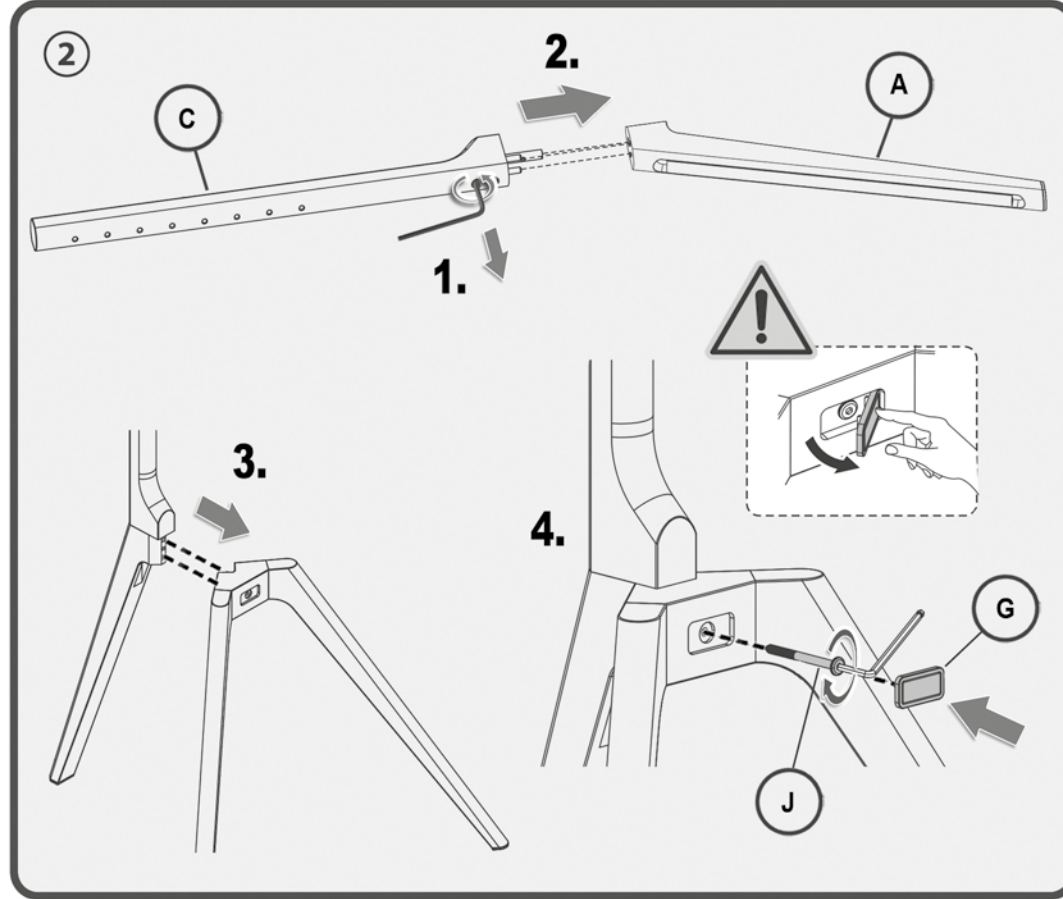
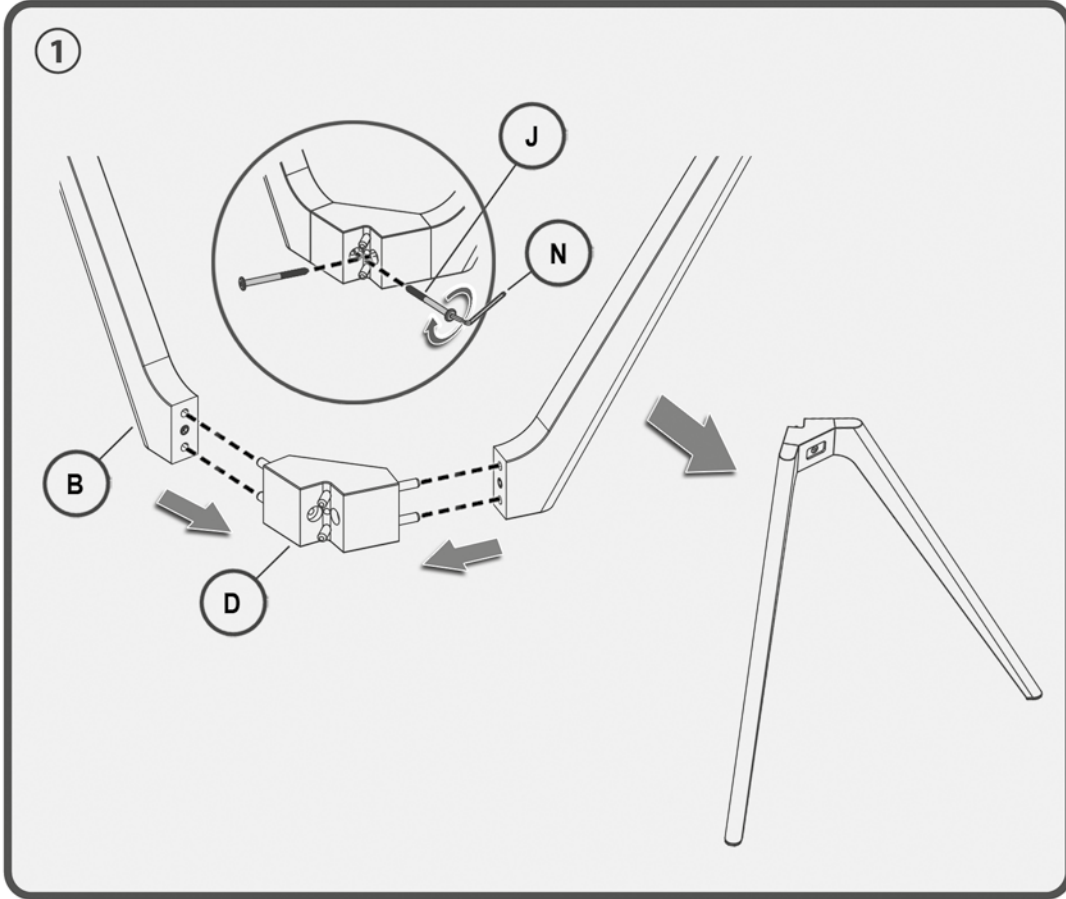
HT 23 L

Staffelei / Bodenstativ
für Flachbildschirme

Easel Studio Floor
Tripod Stand for Flat Screens

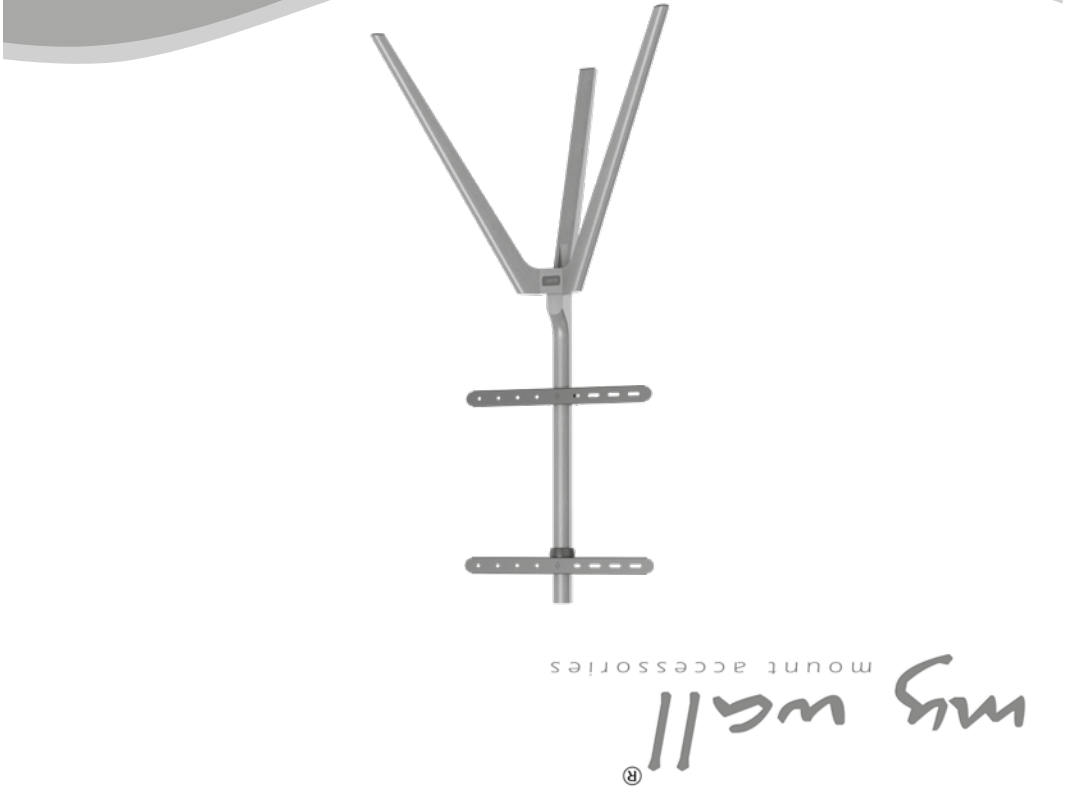


| | | | | | | | | |
|------|------|------|------------------|---------------|-----|------|-----|------------|
| (A) | (B) | (C) | (M-A) M6x14 (x4) | (M-E) D8 (x4) | (D) | (x1) | (L) | (x1) |
| (x1) | (x2) | (x1) | (M-B) M8x16 (x4) | (M-F) (x4) | (E) | (x1) | (I) | (x1) |
| | | | (M-C) M6x30 (x4) | (M-G) (x4) | (F) | (x1) | (J) | M6x60 (x3) |
| | | | (M-D) M8x35 (x4) | | (G) | (x1) | (K) | M6x90 (x1) |
| | | | | | | | (N) | 4mm (x1) |



Montageanleitung
 Instructions de montage
 Assemblée instructions
 Οδηγία συναρμολόγησης
 Instruccions de montaje
 Montagesvejledning
 Montážas instrukcja
 Paigaldusjuhise
 Montavimo instrukcija
 Návod pro montáž
 Montaj Rehbber
 Instruccões de montagem
 Instrukcje montażu
 Instrukcja montażu
 Istruzioni d'uso

HT 23 L



Staffelei / Bodenstativ für Flachbildschirme
Easel Studio Floor Tripod Stand for Flat Screens

