

HT 2 L

Mobile Workstation
mit Fußpedal

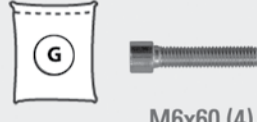
Mobile Workstation
with foot pedal



(x2)



(x2)



M6x60 (4)



M6x25 (x4)



M6x12 (x4)



(4)



4mm (x1)

(x4)

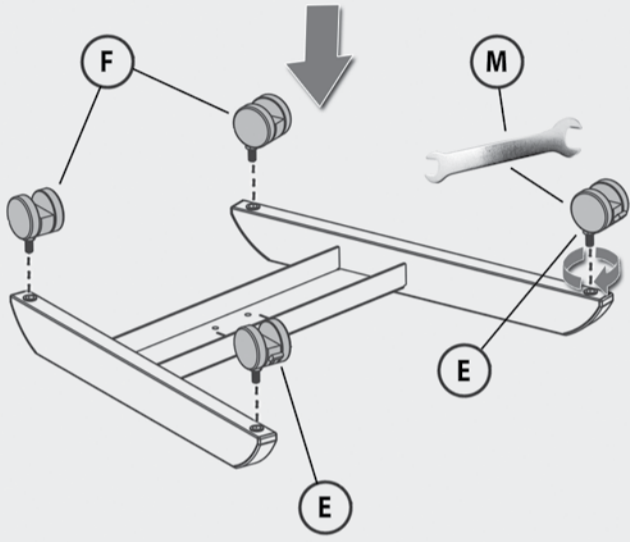


5mm (x1)

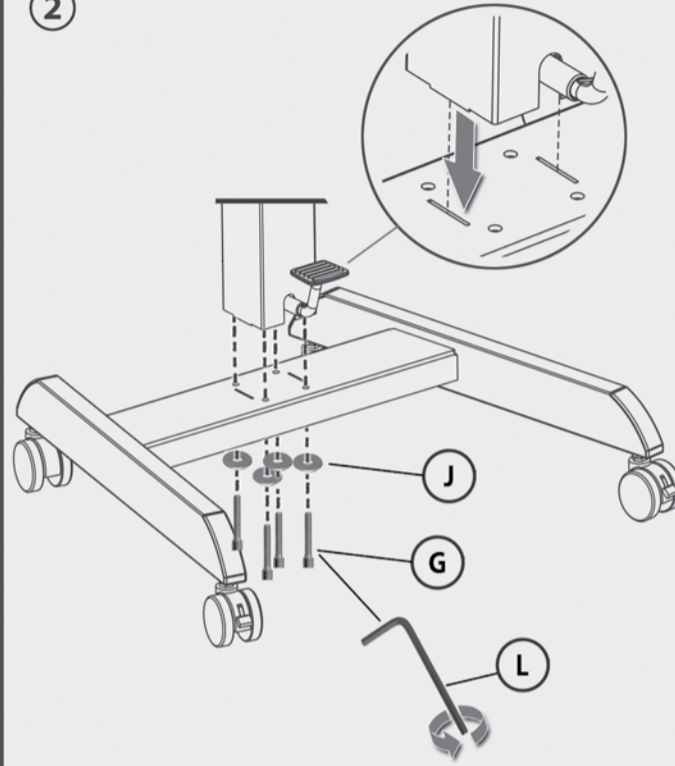


(x1)

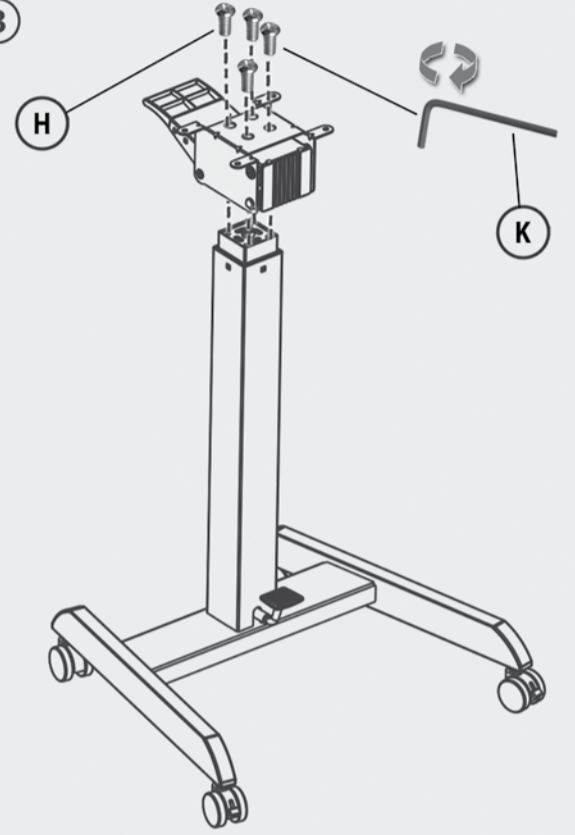
1



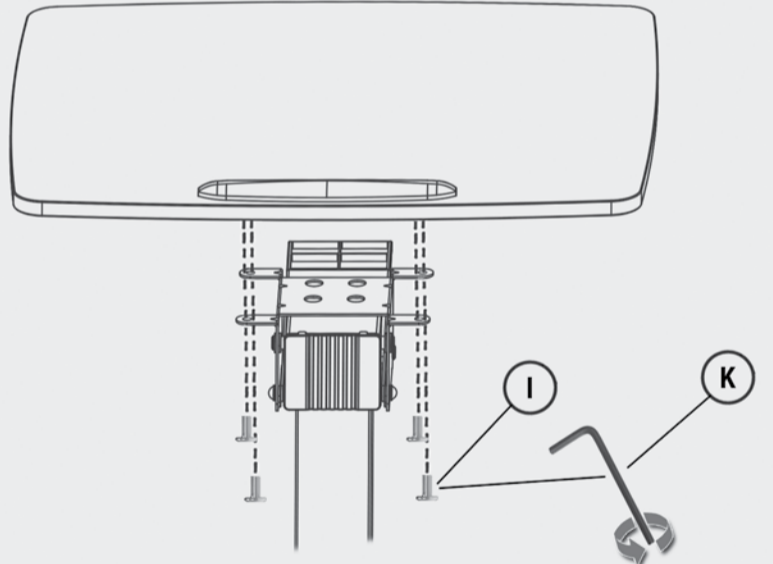
2



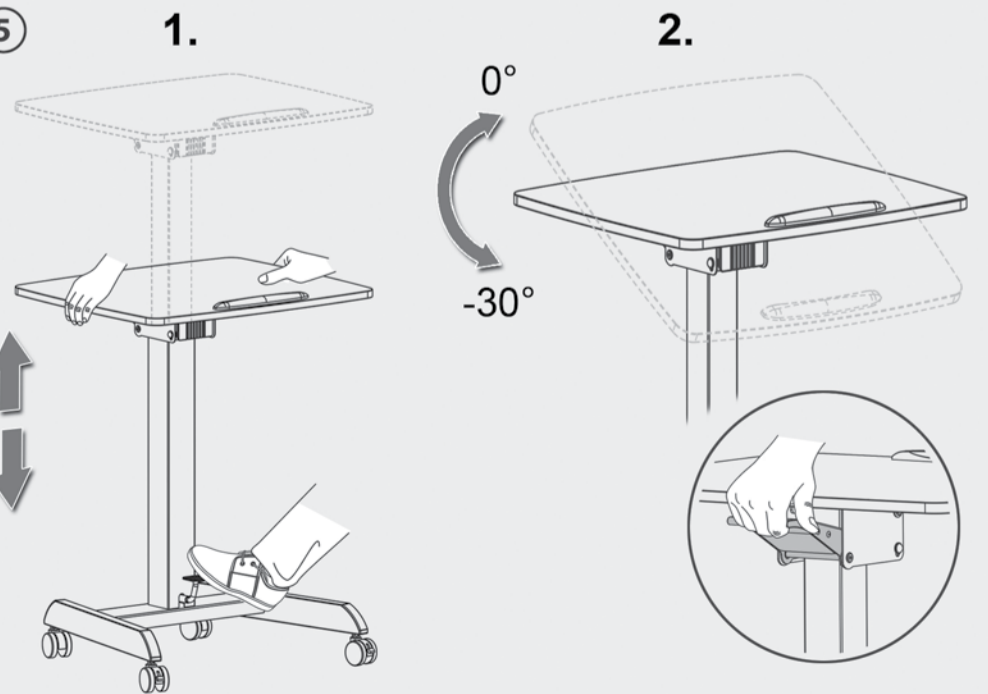
3



4



5



Montageanleitung

Assembly instructions

Montaj Reberit
Montirngsanvlsning
Montavmo instrukcja
Paigaldusjuhls
Montážas instrukcja
Instruzioni d'uso

Instruções de montagem
Návod pro montáž
Instruções de montagem
Asennusohje
Montirngsvejledning
Instrukcija po montazy

Montageanleitung
Assembly instructions
Instruções de montagem
Orijinal qurupholaynrs
Montagehandledning
Montringsanvlsning

HT 2 L



my wall®
mount accessories

Mobile Workstation mit Fußpedal
Mobile Workstation with foot pedal

