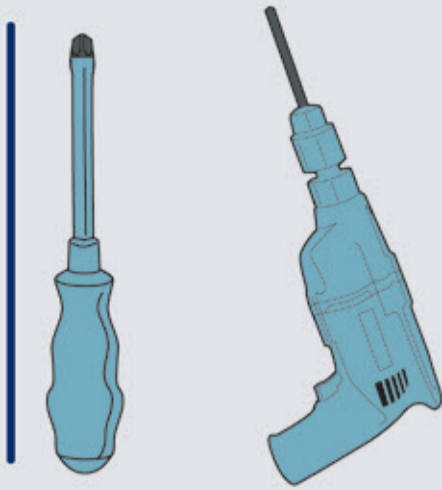
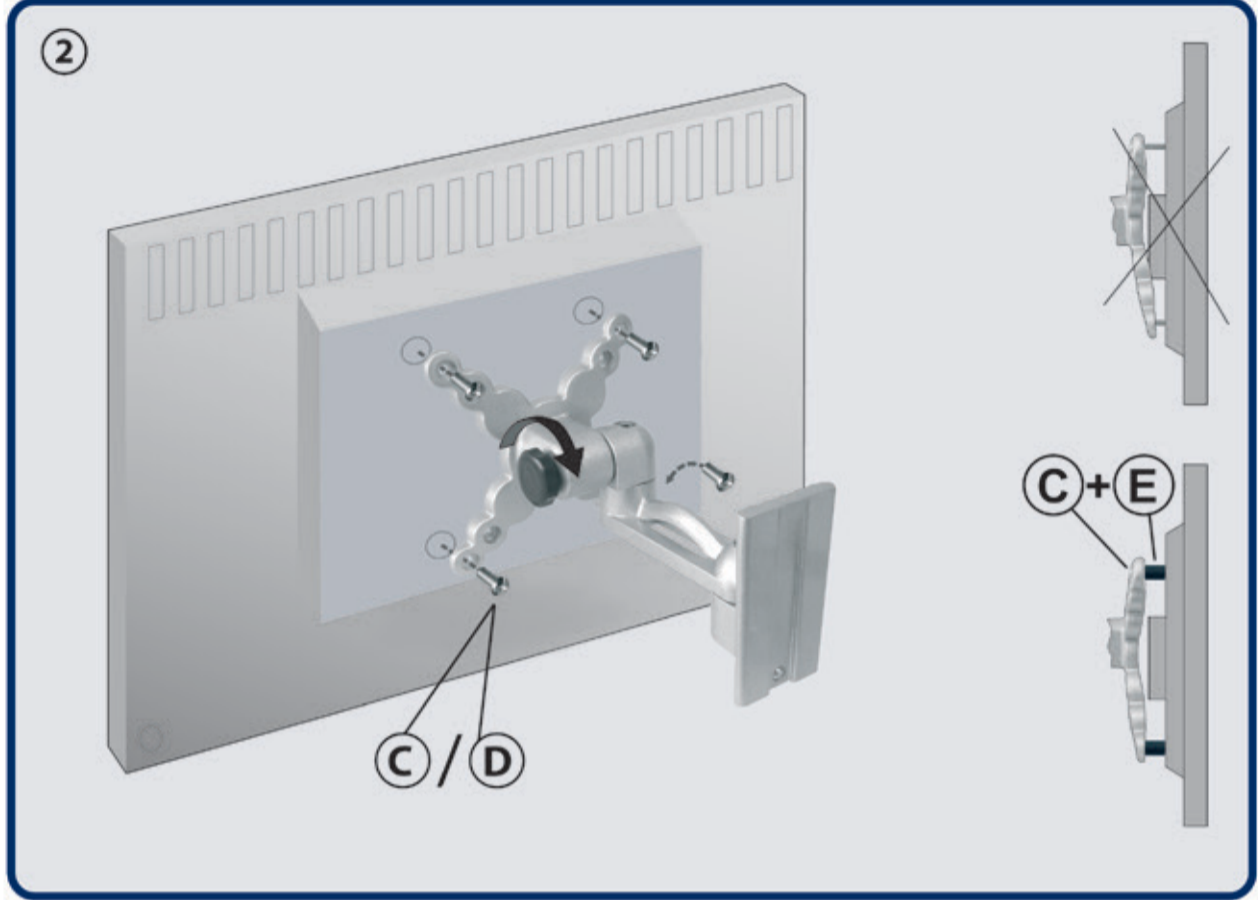
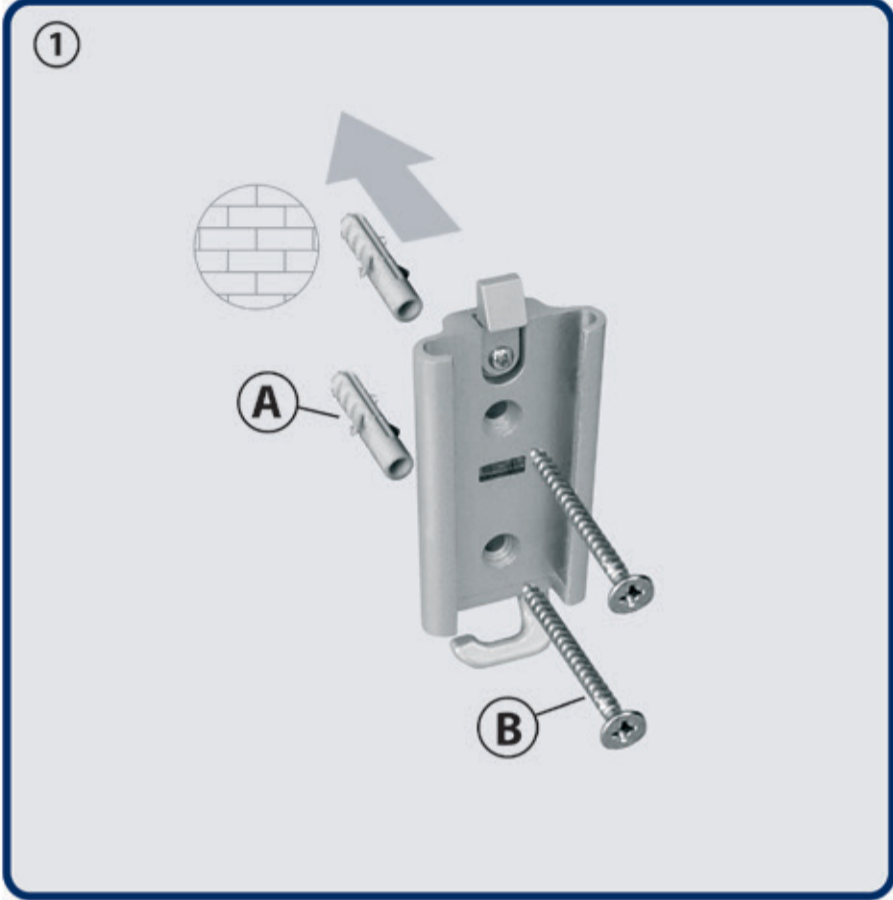


# H 1-1 L

LCD Wandhalterung  
LCD Wall Mount



- |     |  |            |     |  |              |
|-----|--|------------|-----|--|--------------|
| (A) |  | 8x35 (x2)  | (E) |  | 13x5x16 (x4) |
| (B) |  | 3x50 (x2)  | (F) |  | 4 mm         |
| (C) |  | M4x30 (x4) |     |  |              |
| (D) |  | M4x12 (x4) |     |  |              |



**ASSEMBLY INSTRUCTIONS**

Montageanleitung  
 Montageanleitung  
 Οδηγία συναρμολόγησης  
 Instruccions de montaje  
 Assembly Instructions  
 Návod pro montáž  
 Instruções de montagem

Montaj Rehberi  
 Montavimo instrukcija  
 Montéringsanvisning  
 Palgaldusjuh  
 Montážas instrukcija  
 Istruzioni d'uso

