

Size: 240x100mm

Die line: _____

Fold line: - - - - -

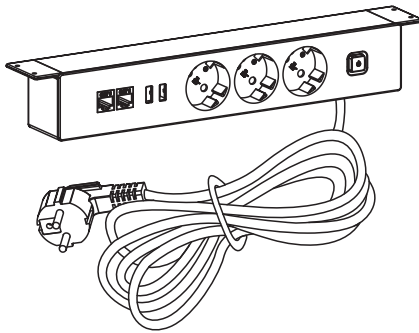


Instruction Manual

MAXTRACK®

3-way power strip with 2 USB charging ports and 2 Ethernet ports

NV 64 L



Safety Instructions

The product is powered by electricity. In order to avoid burns, fire and electric shock and make sure the safe and correct use of the system, please read the instructions carefully before using this product.

- Don't connect a device that exceeds the max. load current for this product, otherwise may cause possible product damage or personal injury.
- Don't use the product if it is damaged in any way, shape or form.
- Don't attempt to repair, disassemble or modify this product.
- Don't use the product in a humid, moist or wet environment. Keep the device dry and clean at all times.
- Don't clean the product while power is still connected.
- Don't place the product near any heat source or in direct sunlight, and make sure the product is out of children's reach.
- Don't touch the product with wet hands.
- This product is intended for indoor use only. Using this product outdoors could lead to product failure and personal injury.

-01-



Disposal:

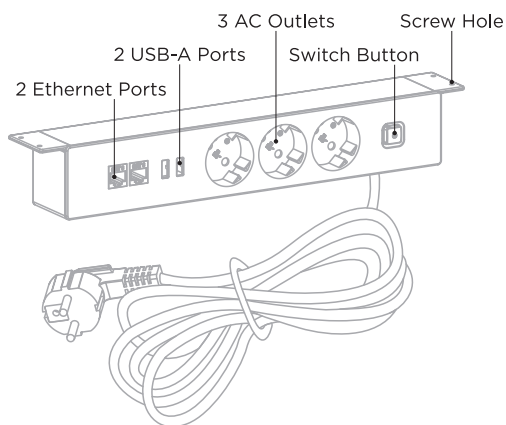
The product with this mark indicates that this product shouldn't be disposed with other household waste. To prevent possible harm to the environment or human health from uncontrolled waste disposal, recycle it responsibly to promote the sustainable reuse of material resources. To return your used device, please use the local recycle service or contact your point of purchase to dispose the product.

Packing List

Power Strip x1
Instruction Manual x1

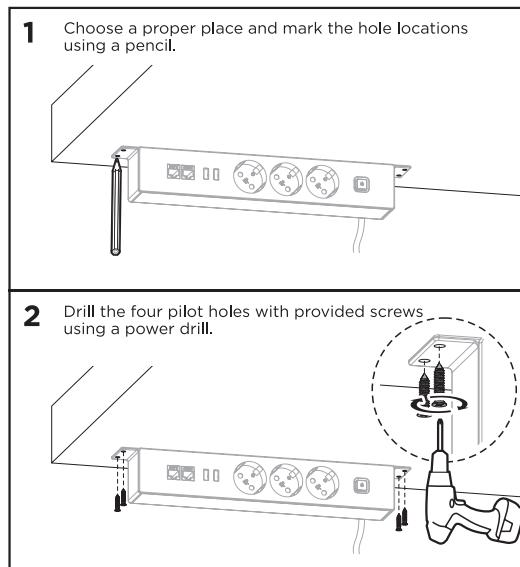
-02-

Power Strip Overview



-03-

Installation Instructions



-04-

Specifications

Item No.	NV 64 L
Dimensions	344x48x54mm (13.5"x1.9"x2.1")
Material	Aluminum Alloy, PC
Plug Type	EU Standard
Cable Length	1.8m (70.9")
Wire Gauge	3G1.5mm ²
AC Outlet	3
USB Charging Port	2
Ethernet Port	2
USB Port Output	5V / 3.1A
Voltage / Current	250V / 16A
Certification	CE



-05-