

# HDMI Splitter

Model No. CS 17-8 D

## Operating Instructions



### Dear customer

Thank you for purchasing this product. For optimum performance and safety, please read these instructions carefully before connecting, operating or adjusting this product. Please keep this manual for future reference.

### FEATURES

- Easy to Use: Install in seconds, no need for setting
- Distribution: Eight identical HDMI outputs
- HDMI High Speed

## **TABLE OF CONTENTS**

**Introduction**  
**Package Contents**  
**Panel Descriptions**  
**Connecting and Operating**  
**Specifications**  
**Typical Application**  
**Maintenance**  
**Product Service**

### **WARNING:**

#### **TO REDUCE THE RISK OF FIRE, ELECTRIC SHOCK OR PRODUCT DAMAGE:**

- 1) DO NOT EXPOSE THIS APPARATUS TO RAIN, MOISTURE, DRIPPING OR SPLASHING AND THAT NO OBJECTS FILLED WITH LIQUIDS, SUCH AS VASES, SHALL BE PLACED ON THE APPARATUS.
- 2) DO NOT INSTALL OR PLACE THIS UNIT IN A BOOKCASE, BUILT-IN CABINET OR IN ANOTHER CONFINED SPACE. ENSURE THE UNIT IS WELL VENTILATED.
- 3) TO PREVENT RISK OF ELECTRIC SHOCK OR FIRE HAZARD DUE TO OVERHEATING, DO NOT OBSTRUCT THE UNIT'S VENTILATION OPENINGS WITH NEWSPAPERS, TABLECLOTHS, CURTAINS, AND SIMILAR ITEMS.
- 4) DO NOT INSTALL NEAR ANY HEAT SOURCES SUCH AS RADIATORS, HEAT REGISTERS, STOVES, OR OTHER APPARATUS (INCLUDING AMPLIFIERS) THAT PRODUCE HEAT.
- 5) DO NOT PLACE SOURCES OF NAKED FLAMES, SUCH AS LIGHTED CANDLES, ON THE UNIT.
- 6) CLEAN THIS APPARATUS ONLY WITH DRY CLOTH.
- 7) UNPLUG THIS APPARATUS DURING LIGHTNING STORMS OR WHEN UNUSED FOR LONG PERIODS OF TIME.
- 8) PROTECT THE POWER CORD FROM BEING WALKED ON OR PINCHED PARTICULARLY AT PLUGS.
- 9) ONLY USE ATTACHMENTS/ACCESSORIES SPECIFIED BY THE MANUFACTURER.
- 10) REFER ALL SERVICING TO QUALIFIED SERVICE PERSONNEL.

### **INTRODUCTION**

The CS 17-8 D is a eight-way HDMI splitter. It distributes the input HDMI signals to eight identical HDMI outputs. These eight outputs are synchronized. CS 17-8 D has the ability of pre-emphasis and equalization. Series connection of CS 17-8 D achieves long distance transmission of HDMI signal of more than 15 meters.

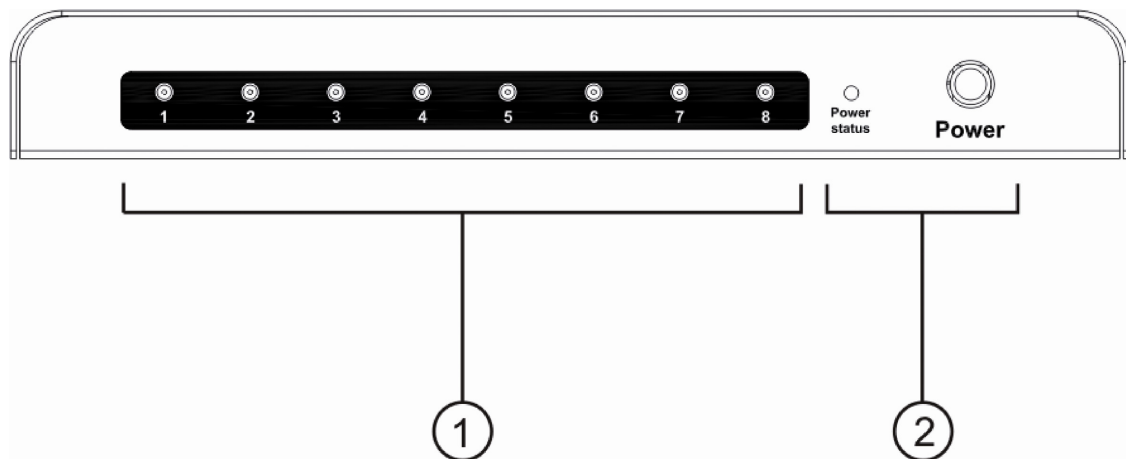
CS 17-8 D offers solutions for digital entertainment center, HDTV retail and show site, HDTV, STB, DVD and Projector factory, noise, space and security concerns, data center control, information distribution, conference room presentation, school and corporate training environments.

## PACKAGE CONTENTS

- 1) CS 17-8 D Main unit
- 2) 5VDC Power Supply
- 3) Operating Instructions

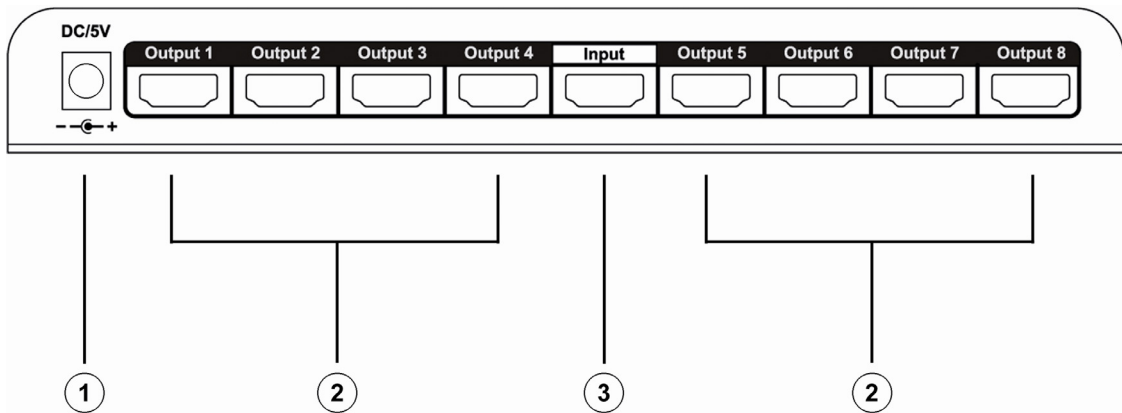
## PANEL DESCRIPTIONS

### Front Panel



- 1) Indicator of HDMI output. When a HDMI equipment is connected, the corresponding LED lit.
- 2) Power Button. When power on, the Power status LED lit.

Rear Panel



- 1) Power input.
- 2) HDMI output ports
- 3) HDMI input port.

**CONNECT AND OPERATE**

- 1) Connect the HDMI input sources into CS 17-8 D.
- 2) Connect the HDMI output equipments into CS 17-8 D.
- 3) Insert the DC side of 5V power supply into CS 17-8 D and then connect the AC side of the power supply into the wall outlet.
- 4) Turn on the power.

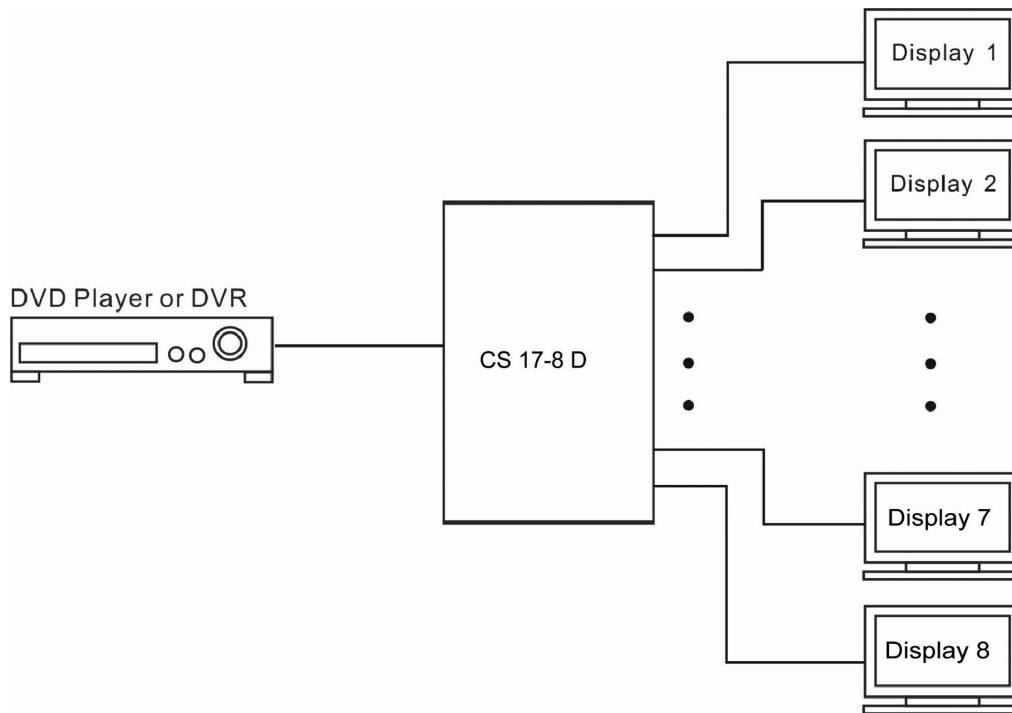
**Attention! Insert / Extract cables gently**

**SPECIFICATIONS**

Operating temperature range.....	-5 to +35°C(-41 to +95°F)
Operating humidity range.....	5 to 90 % RH (no condensation)
Video Amplifier Bandwidth.....	140mHz
Input Video Signal.....	0.5-1.0 volts p-p
Input DDC Signal.....	5 volts p-p (TTL)
Maximum Single Link Range.....	1080P
Video format supported:.....	VGA : 640x480,800x600,1024x768,1280x1024 DTV/HDTV: 480i/576i/480p/576p/720p/1080i/1080P
Output Video.....	HDMI
Vertical Frequency Range:.....	60Hz
Power Consumption.....	10 Watts (max.)
Power Supply.....	5VDC
Dimensions.....	234mmW x 31mmH x 130mmD
Mass.....	0.8 Kgs

Note: Specifications are subject to change without notice.

## TYPICAL APPLICATION



## MAINTENANCE

Clean this unit with a soft, dry cloth. Never use alcohol, paint thinner or benzene to clean this unit.

## PRODUCT SERVICE

- 1) **Damage requiring service:** The unit should be serviced by qualified service personnel if:
  - (a) The DC power supply cord or AC adaptor has been damaged;
  - (b) Objects or liquids have gotten into the unit;
  - (c) The unit has been exposed to rain;
  - (d) The unit does not operate normally or exhibits a marked change in performance;
  - (e) The unit has been dropped or the cabinet damaged.
- 2) **Servicing Personnel:** Do not attempt to service the unit beyond that described in these operating instructions. Refer all other servicing to authorized servicing personnel.
- 3) **Replacement parts:** When parts need replacing ensure the servicer uses parts specified by the manufacturer or parts that have the same characteristics as the original parts. Unauthorized substitutes may result in fire, electric shock, or other hazards.
- 4) **Safety check:** After repairs or service, ask the servicer to perform safety checks to confirm that the unit is in proper working condition.