



# IT'S TIME FOR NEW DEALS

Our summer highlights for you.  
Take a look right now.



clamp-on  
**UNIVERSAL  
 HEADPHONE  
 HOLDER**

**HK 4 L**



# Provides many possibilities

With a flick of the wrist, you have your personal items such as headphones or handbag stowed under the table. The HK 4 L universal hook is simply clamped to the tabletop. Depending on your preference, you can rotate the direction of the suspension 360°. This way you make the optimal use of the space under the table and keep things tidy at the same time.

- ✦ Easy attachment to the table because of the screwable clamping system
- ✦ Hook with silicone pad protects headphones and other items
- ✦ 360° rotating hook creates space on the desk
- ✦ Perfect for storing headphones, bags, hats and more



5 kg



Loads: up to 5 kg  
 With non-slip silicone pad



# 1... 2... 3... AND YOUR TV IS GONE

## HP 64 L Motorized Monitor Lift Stand for ceiling installation

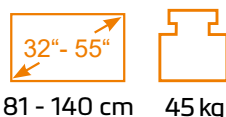
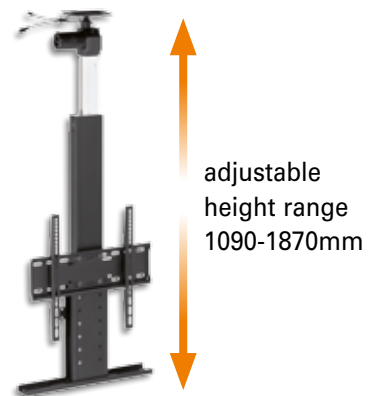
### For a clean appearance.

Because of the high quality electric linear drive, the TV lift can be easily raised and lowered by RF remote control with almost no noise. Ideal for a loft, events, sales / training- or waiting rooms.

- ★ Hides the TV in the ceiling
- ★ The motorized height adjustment can be controlled remotely
- ★ Remote control included for convenient button control
- ★ Reliable and durable because of strong quality motor

For flat screens: 32" - 55" (81 - 140 cm)  
 Loads: up to 45 kg  
 VESA: 75 - 400  
 Height: min 1095 ~ max 2186 mm

Lifting height: 780 mm  
 With RF remote control  
 Also possible for installation in a cabinet





AVAILABLE WEEK 25



# MOBILE or FIXED

*With or without castors*

- ✕ Flexible use with or without castors
- ✕ Modern design in black steel and wood look
- ✕ Height adjustable and adjustable tilt angle for better visibility
- ✕ The compact size facilitates mobility

## HP 121 L Stand for flat screens

The fixed TV stand can be equipped with enclosed castors, which can be mounted on the stand at any time. Whether in the living room or in the kitchen, the HP 121 L makes it easy to move the TV from one place to another. Also ideal for offices, classrooms, conference rooms, shopping centres, etc.

For flat screens: 34" - 55" (86 - 140 cm)

Loads: up to 35 kg

Tilt: -10° - +10°

VESA: 200x200 - 400x400

Adjustable height: 793 / 847 / 901 / 955 mm

For stationary or mobile use (4 wheels included)

With cable management

Black / Walnut



86 - 140 cm



35 kg



-10° - +10°



# the WOW-EFFECT



## WITH HIGH-TECH GLOSSY CHROME SURFACE

Give your TV a refined look with the HP 122 L. Whether in the office or at home, this TV stand fits into any interior and creates an appealing ambience - even when the TV is not on.

## HP 122 L Stand for flat screens

- ✓ Unique look with high gloss chrome surface finish
- ✓ Integrated cable management keeps everything organized
- ✓ Rubber pads protect the floor and provide stability
- ✓ The anti-tilt safety belt prevents accidental tipping over

VESA rails  
snap lock



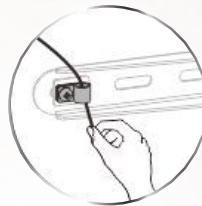
Cable management



Rubber pads



Anti-tilt  
safety belt



For flat screens: 49" - 70" (124 - 178 cm)  
 Loads: up to 40 kg  
 VESA: 200x200 - 600x400  
 Stand height: 1345 mm  
 Surface finishing: chrome plated  
 With anti-tilt safety belt

49" - 70"  
 124 - 178 cm 40 kg



# SONOS® BRACKET WITH THAT CERTAIN **EXTRA**

- With additional shelf for small items
- Integrated cable management hides the speaker cables
- Special fasteners support the speakers
- 2 compact holders as set



## HS 28 L 2 Wall brackets for SONOS® speaker ONE / ONE SL / PLAY:1

Install your Sonos® speakers with the compact HS 28 L bracket.

The specially designed holder not only ensures a secure hold for your Sonos® speakers, but also provides additional space for small items such as smartphones, keys etc. The internal, all round cable management ensures a tidy look.

Loads: 7 kg  
Content: 2 pieces  
With cable management



7 kg



SONOS® – Wireless HiFi System



# FLOATING DESIGN

**With the HS 27 L wall mount, you have the ultimate home sound system.**

The bracket featured a minimalist design, that blends harmoniously into any living environment. The assembly of the set is simple and quickly done. This allows you to optimally place your Sonos® boxes or universal speakers on the wall.

- ▶ More flexibility - suitable for Sonos® or universal speakers
- ▶ Mounting posts provide protection and support for the Sonos® speaker
- ▶ 2 compact holders in a set
- ▶ Easy assembly - no special technical knowledge required



*also for  
universal speakers*



## HS 27 L

**2 Brackets for SONOS® Loudspeaker ONE / ONE SL / PLAY:1  
or Universal Speakers**

Loads: 7 kg  
Content: 2 pieces



7 kg



SONOS® – Wireless HiFi System

# THE CABLE ORGANIZER

## And the chaos dissolves

### HZ 2-1,1 L / WL is an elegant solution for concealing cables in all areas.

The cable covers have a patented folding and clicking mechanism, which facilitates handling and assembly. In addition, cables can be easily added or removed at any time.

- Unfold and hide cables in one easy step
- Makes it easier to add or remove cables at any time
- High-quality material enables frequent use
- Easy assembly - no special prior knowledge required

#### Patented fold and click closure



## HZ 2-1,1 L    HZ 2-1,1 WL

black

white

Length: 1,1 m  
Aluminum  
60 mm wide, 20 mm high

